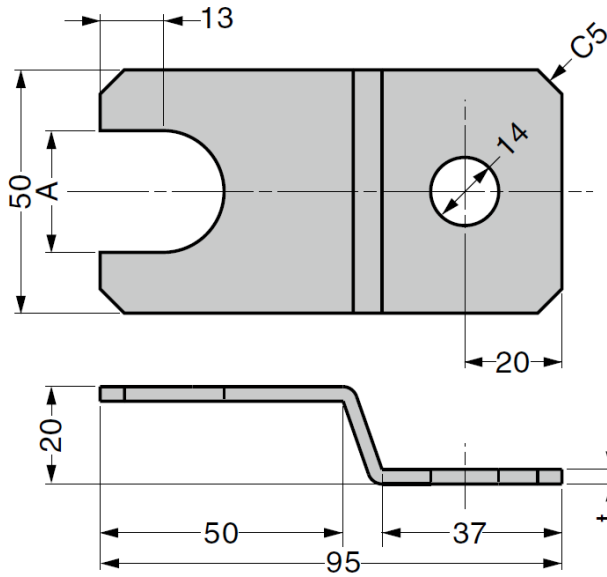


## GADZS / GADZ Glide Base

### Features

- 2 types of materials: steel and stainless steel 304 with excellent rust resistance
- Easy installation by inserting on the hexagon nut (of the levelling glide) and fixing to floor with an anchor bolt
- For M12, M16, M20 levelling glides



Part No.	A	T	Material	Finish
GADZS-M12	19	3	Stainless Steel 304	Barrel Polished
GADZS-M16	24.5			
GADZS-M20	30.5			
GADZ-M12	19	3.2	Steel (SPHC)	Clear Zinc Chromate
GADZ-M16	24.5			
GADZ-M20	30.5			